

# INSTALLATION INSTRUCTIONS FOR YOUR UN-FRAMED SIDE HUNG DOORS



CAUTION

## IMPORTANT INFORMATION

- 1 This garage door is intended for domestic use only.
- 2 Garage doors are heavy and may have sharp edges. Wear protective gloves. Installation should not be undertaken alone. Care must be taken when handling.
- 3 Ensure the door is continuously supported before it is secured and avoid installing in windy conditions.
- 4 Do not attempt to install or adjust this door if you are unsure of any of the instructions below.

PLEASE READ INSTRUCTIONS RIGHT THROUGH BEFORE COMMENCING INSTALLATION.

## BEFORE COMMENCING WORK

### 1 Remove all wrapping

Before starting: remove all wrapping and check door has been supplied with correct fixing kit. Kit code is on identification label on reverse of door. Check contents correspond with packing slips

#### NOTE A

No wall plugs are provided. It is the responsibility of the installer to provide and fit wall plugs suitable for the structure to which the door is to be fitted.

### 2 Check area in front of doors

These side hung garage doors open OUTWARDS. To avoid the doors jamming when opened, check for a distance of 1200 mm (48") in front of the doors that there is no slope or projections to impede door movement

### 3 Frame Requirements

These doors are supplied without a mounting frame. It is the responsibility of the installer to supply a suitable garage door timber frame. This should be:-

- Minimum 50 mm thick x 75 mm deep.
  - Of sound timber and securely fixed to the surrounding structure.
  - The frame aperture should be to the size specified on the order form.
- NOTE:** – Doors are made slightly smaller than aperture size specified to provide working clearances.
- Frame aperture should be square, with side frames vertical and parallel.

#### You will need:

- |                           |                           |                               |
|---------------------------|---------------------------|-------------------------------|
| • Power drill             | • Door props              | • Engineer's pliers           |
| • 10mm A/F socket/spanner | • Masonry drill bits      | • Posi screwdrivers (Z3 & Z2) |
| • Protective gloves       | • Hammer                  | • '3 in 1' type oil.          |
| • Sharp knife             | • Grease                  | • Spirit Level                |
| • Tape measure            | • Wedges (packing pieces) |                               |

Note to installer: Please ensure that this instruction sheet remains with the door for the owner's future reference.

# 1

**CAUTION !** Please ensure all tools and parts are **inside** the garage before the door is placed in the opening.

## FITTING YOUR DOOR

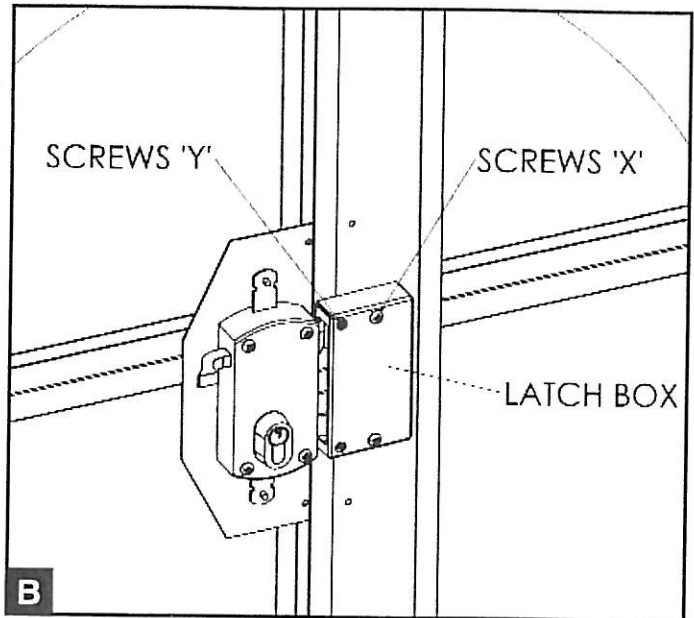
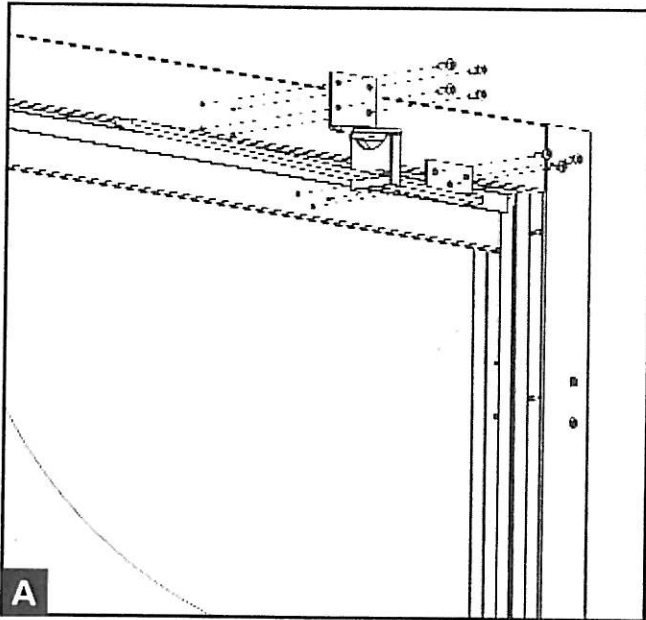
---

- 1** The door is supplied with all hinges, bolts and locks pre-fitted to both door leaves.
- 2** Prop "bolt" door leaf in position, ensuring vertical and square and with 10 mm gap between top of door and frame. Fix hinges to frame using No 10 x 1 1/2" c'sunk screws provided.
- 3** Repeat for "lock" door leaf, ensuring tops of doors are level.
- 4** Ensure door leaves close/open correctly and are fitted square, level and even to each other.
- 5** Ensure there is a clearance gap at centre join of approximately 8.0 mm. If necessary rebate the hinges into timber frame to achieve this.
- 6** Fit timber door stop (not supplied) all around inner face of frame for doors to close against.

# 2

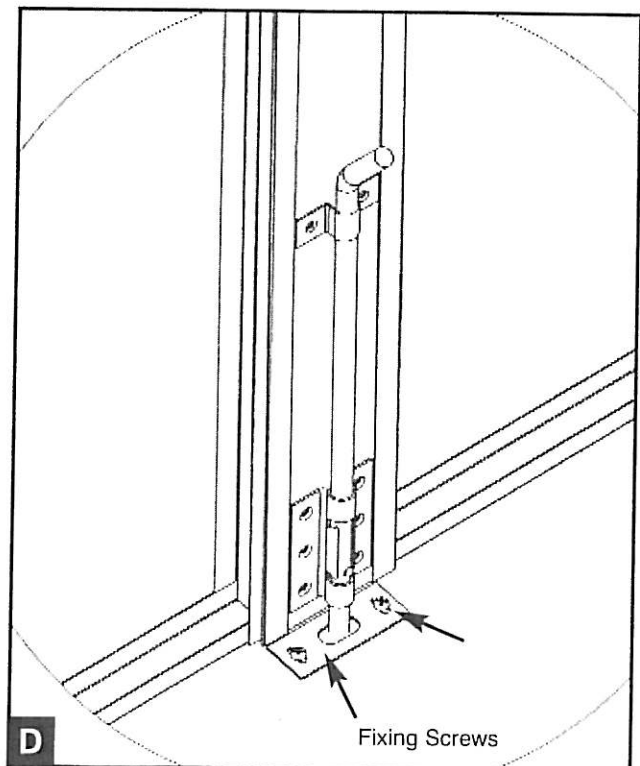
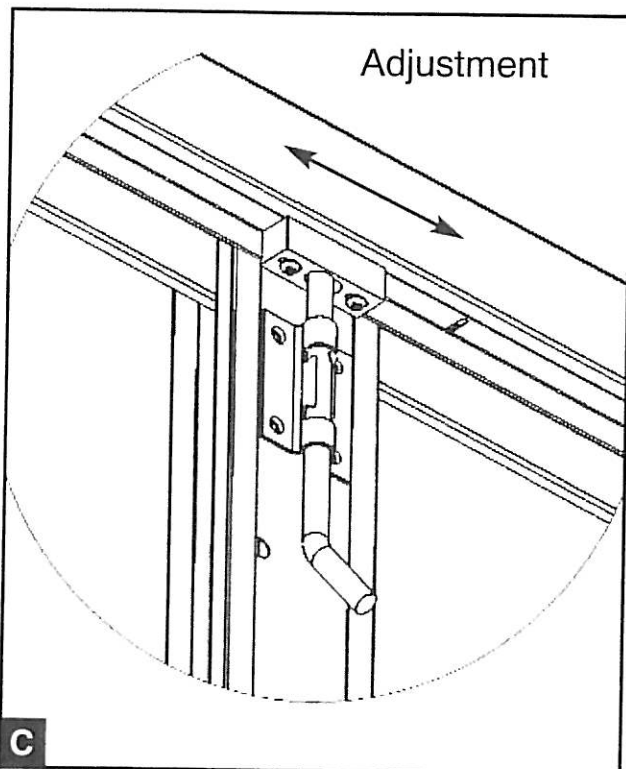
## DOOR FURNITURE

- 1** Your doors are supplied with all door furniture pre-fitted except for door stays.
- 2** Fit door stay to "lock leaf" using 3 off No 12 x 3/4" Pan Posi self tapping screws supplied, into the pre-pieced holes. (See Fig A)
- 3** Open door to form right angle with door frame and prop in position.
  - Slide frame bracket along the stay bar so that detent drops over the end of bar.
  - Offer frame bracket up to inner face of frame, with bottom holes in bracket approx 8 mm above bottom edge of lintel.
  - Fix bracket with 4 off No 12 x 1 1/2" pan posi screws supplied (See Fig A).
- 4** Repeat for stay on "bolt leaf".
- 5** If necessary adjust latch to give correct closure (See Fig B).  
To adjust latch clearance:-
  - Loosen the 2 screws 'X' (See Fig B)
  - Whilst keeping finger pressure on the latch box adjust screws 'Y' to increase or decrease latch clearance.
  - When correct setting is obtained re-tighten screws "X"
  - From inside, test latch for correct operation.
- 6** Fit the top bolt securing block to top of frame:-
  - Open the doors and place the Top Bolt Block, correct way round, over end of top bolt (See Fig C). Fully close doors again.
  - Extend bolt and correctly position the Top Bolt Block (See Fig C). Mark fixing positions through the slots in block.
  - Drill 2 holes where marked using 3.5 mm drill. Fix top block using 2 off No 12 x 2" pan posi screws and M6 washers supplied.
  - Fine adjust position of block, using slots provided, and fully tighten screws.



**7** Fit the bottom bolt floor plate (See Fig. D)

- With doors fully closed mark the bolt position on the floor.
- Fully open doors and drill a hole 25 mm diameter (1") x 50 mm deep (2") where marked.
- Fully close doors again and place the floor bolt plate in position with the bottom bolt extended through the plate.
- Mark the floor for the two fixing screws.
- Drill and plug floor with suitable plugs (See Note A).
- Secure plate to floor using the 2 off No 12 x 1 1/2" pan head posi screws and M6 washers supplied.
- Fine adjust position of plate, using slots provided, to give correct position and fully tighten screws.



# 3

## UPON COMPLETION

---

- 1 Lubricate all hinges using '3 in 1' type oil.
- 2 Check door operation to ensure door opens and closes satisfactorily.
- 3 Check that locks and latches operate correctly.

**NOTE:**

The lock is fitted with a latch that can be operated with the key from outside or with the latch lever from inside.  
it also has double throw deadlock bolts that must be operated with the key from either inside or outside.

- 4 Ensure all fixings are fully tightened.

# 4

## TROUBLESHOOTING

---

- 1 **DOORS DO NOT HANG SQUARE**  
Check frame uprights are vertical and parallel.
- 2 **DOOR LEAVES CLASH ON CLOSING**  
Check frame uprights are vertical and parallel and sufficient centre gap.
- 3 **DOOR DOES NOT LATCH CORRECTLY**  
Adjust latch keep as outlined in Section 2.5.
- 4 **KEYS**  
Your door is supplied with a set of 3 keys, if more are required contact your supplier for key blanks.
- 5 **LOST KEYS**  
Contact your supplier. The lock barrel will have to be replaced.